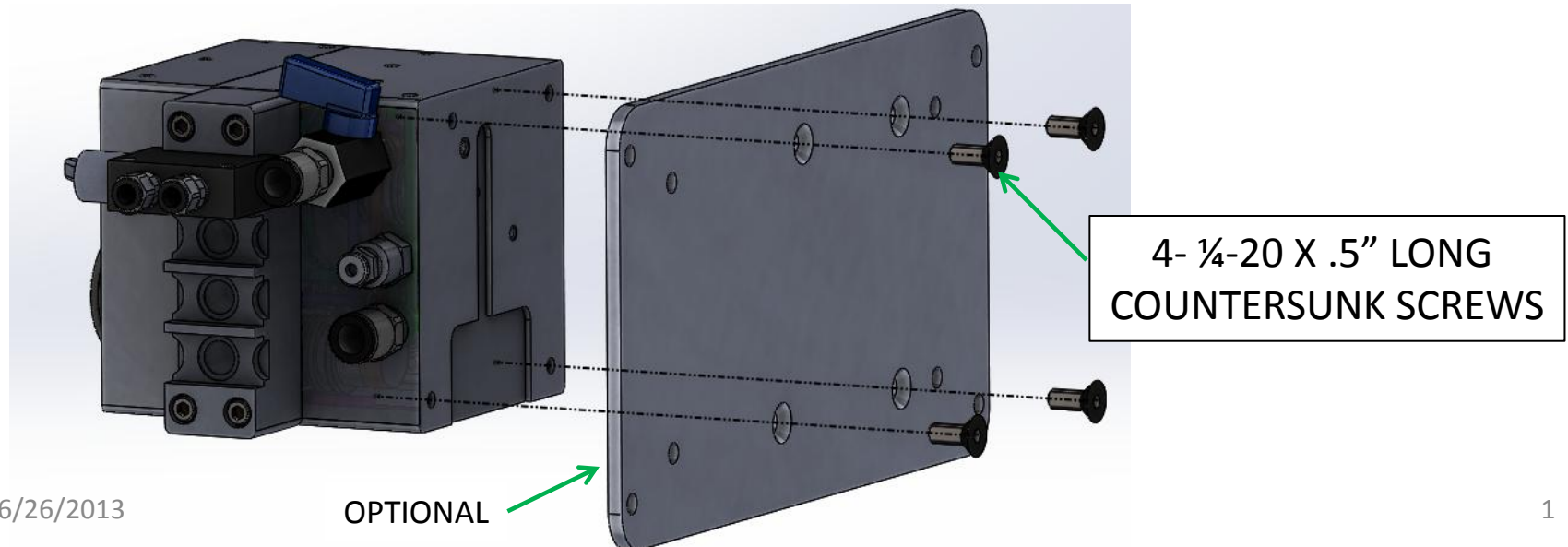
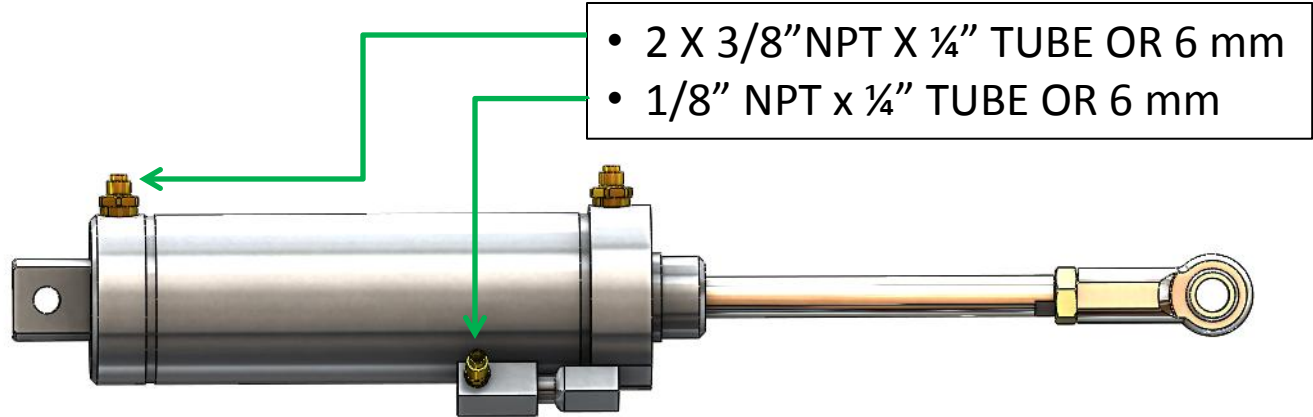


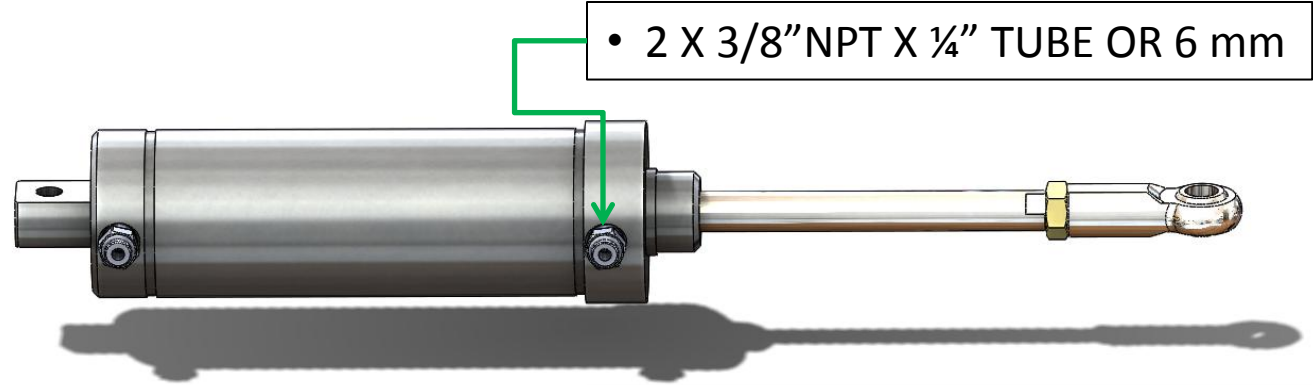
MOUNTING PLATE INSTALLATION AND HARDWARE



END OF STROKE CYLINDER



STANDARD CYLINDER



PIVOTAL EDGE CYLINDER 2013

