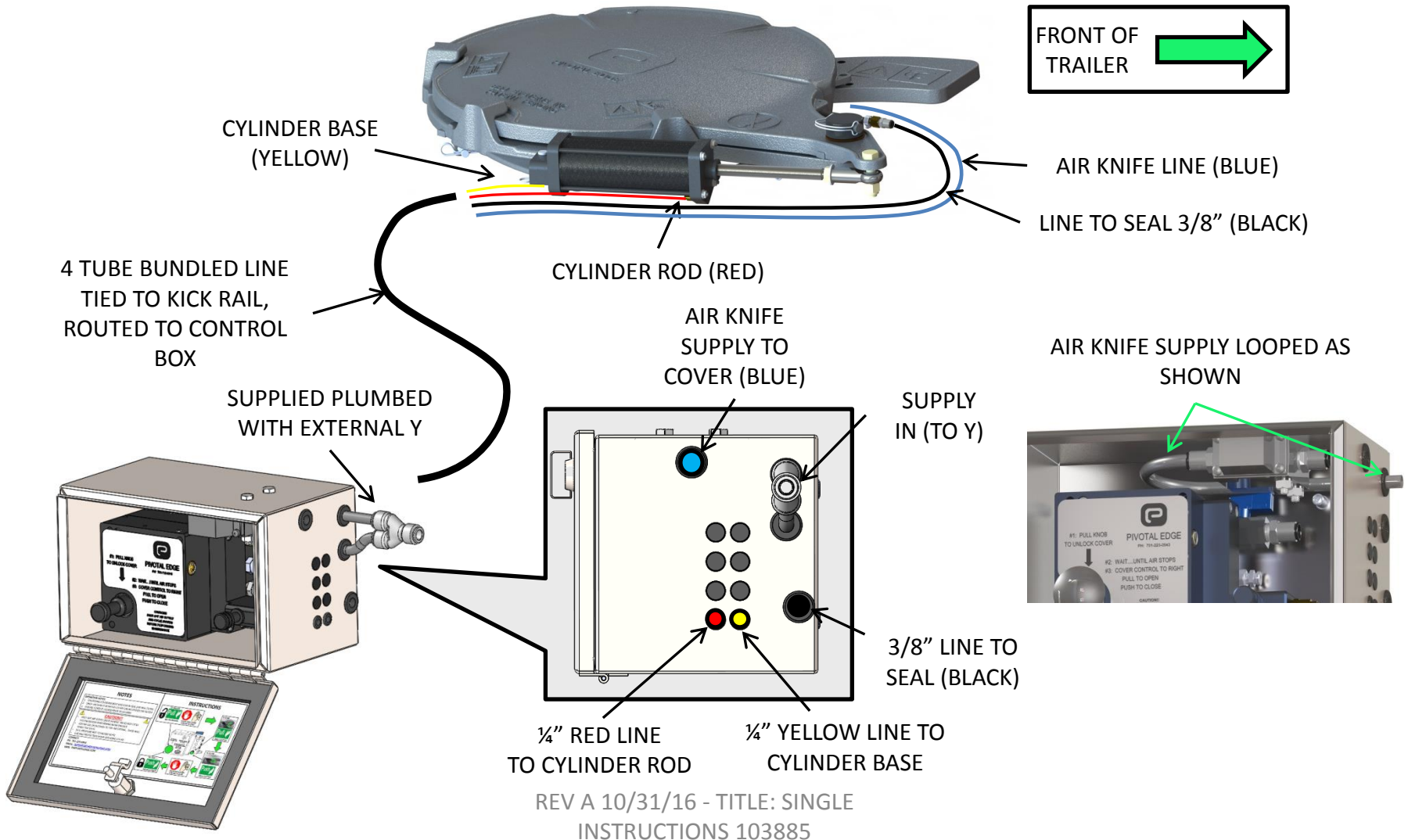


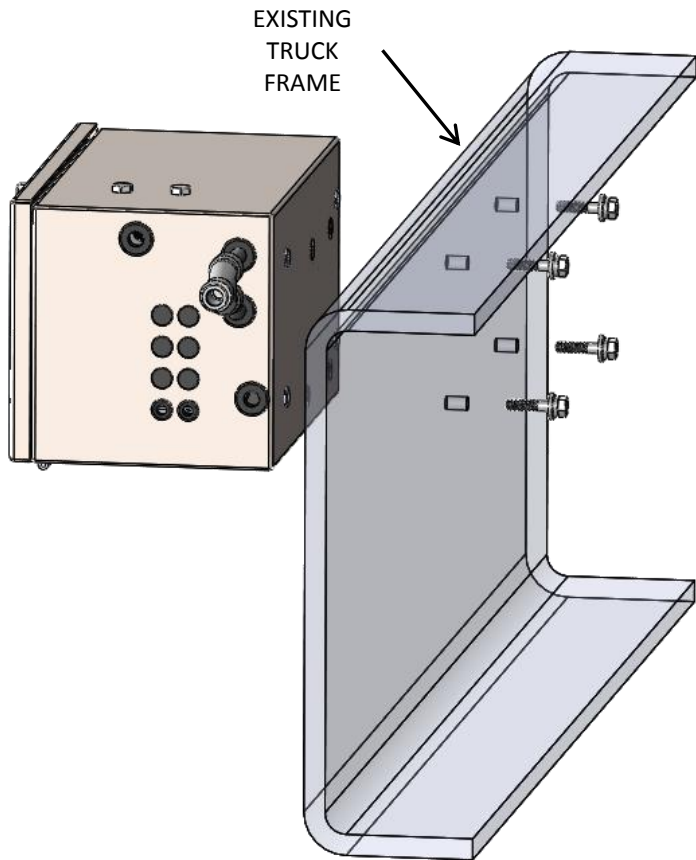
**COVER AIRLINE SCHEMATIC
(SINGLE COVER INSTALL, W/AIR KNIFE) PN: 103885**



CONTROL BOX MOUNTING AND SUPPLY PLUMBING (SINGLE COVER INSTALL W/AIR KNIFE)

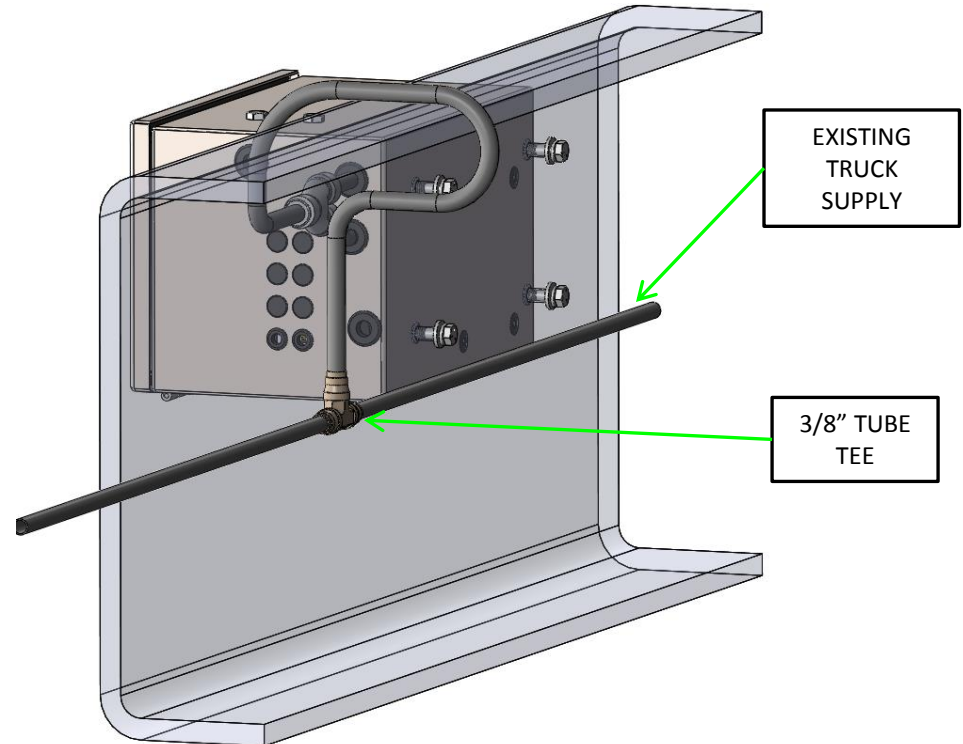
MOUNTING

1. Thru drill truck frame rail using provided template
2. Attach as shown and tighten bolts (1/4"-20 x 1-1/4")

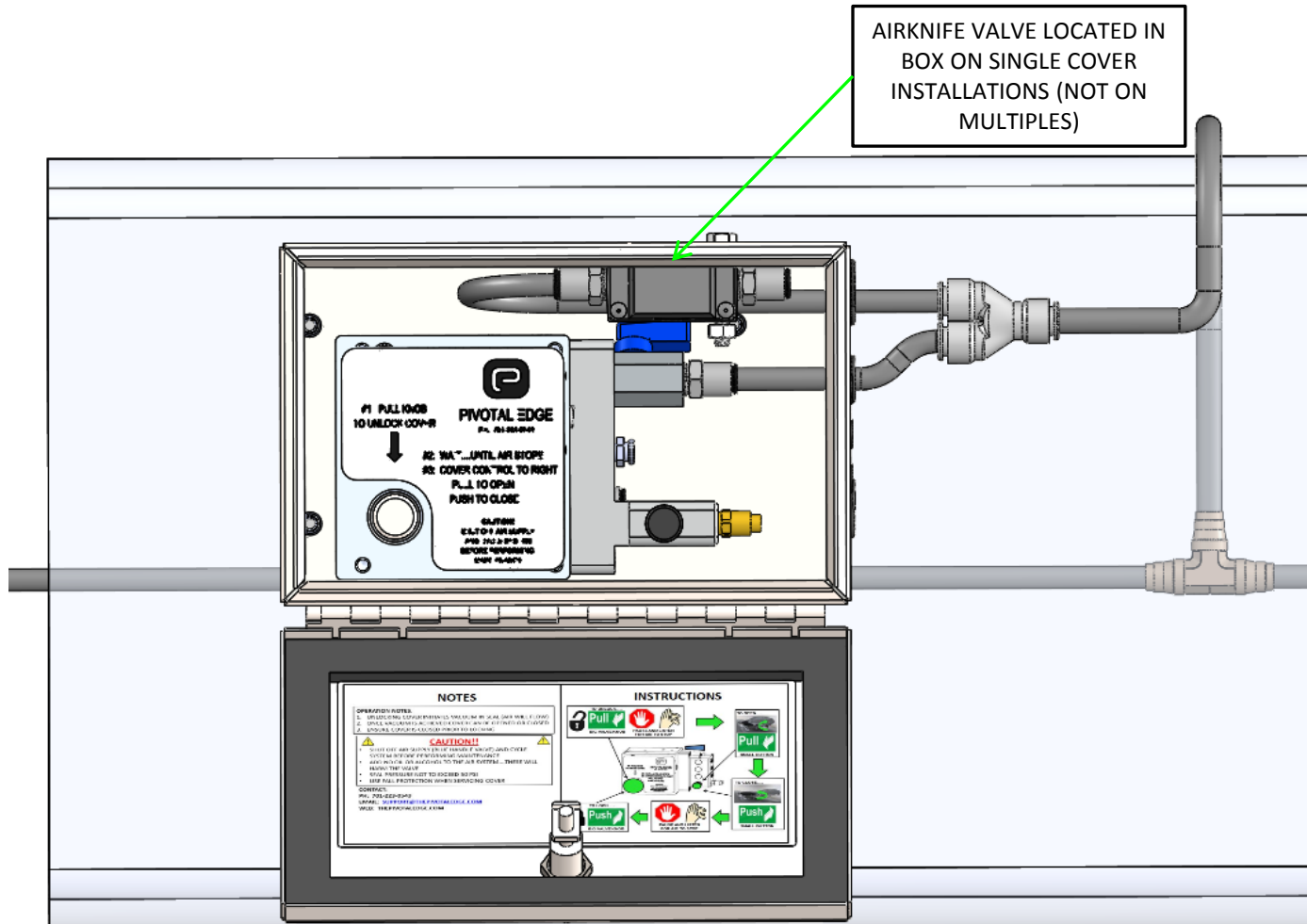


PLUMBING OF SUPPLY

1. "T" into truck supply as shown
2. Plumb as shown from front to back with supplied T and 3/8" tubeline.



CONTROL BOX PLUMBING (SINGLE COVER INSTALL W/AIR KNIFE)



TOP SIDE CONNECTIONS (SINGLE COVER INSTALL W/AIR KNIFE)

