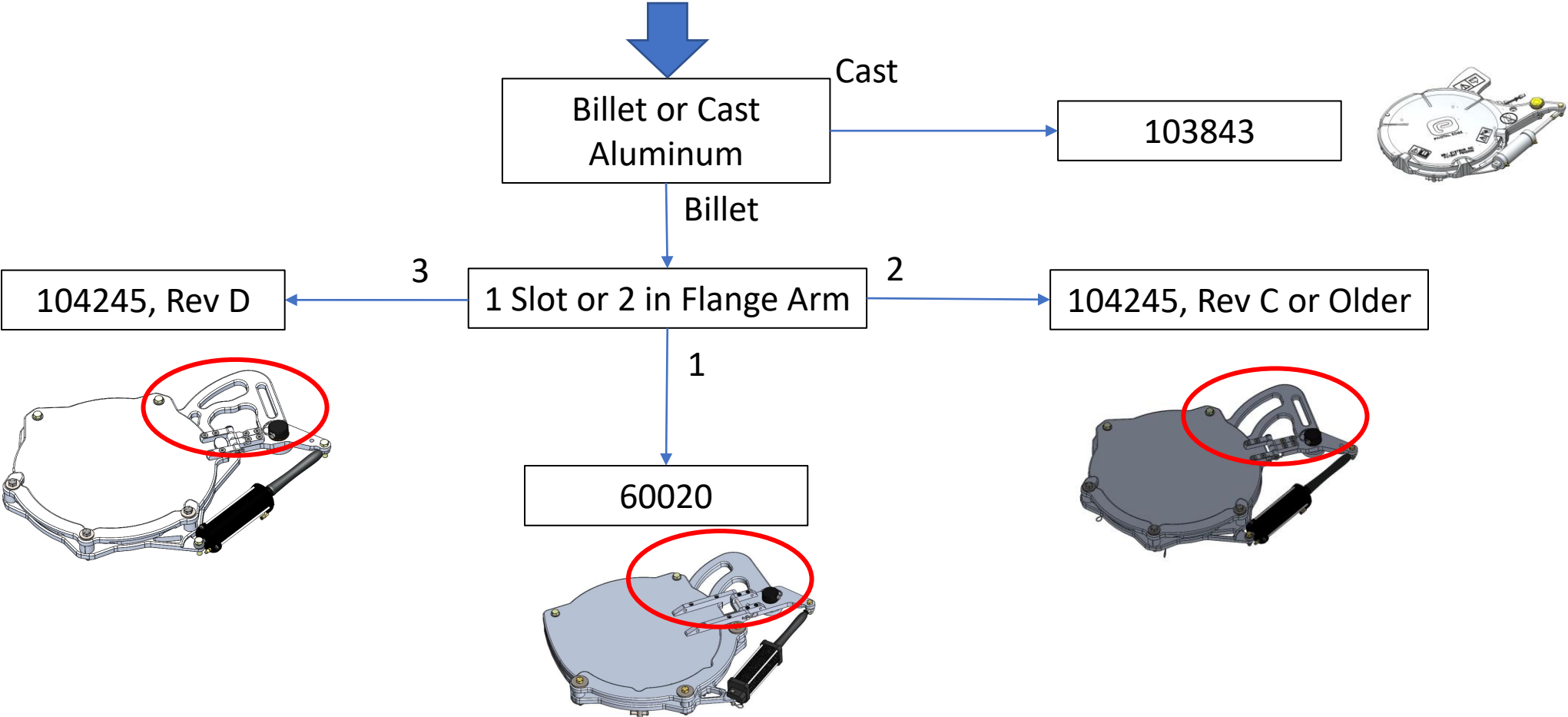
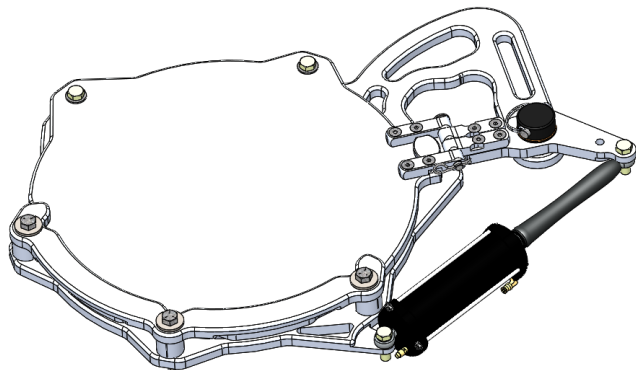


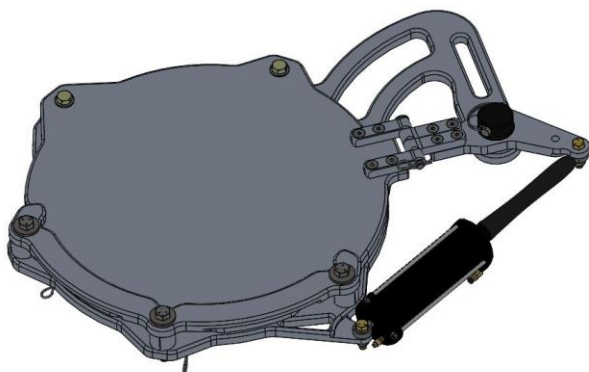
Use the following flowchart and images to identify the specific type of cover you have.

Cover Identification Flowchart

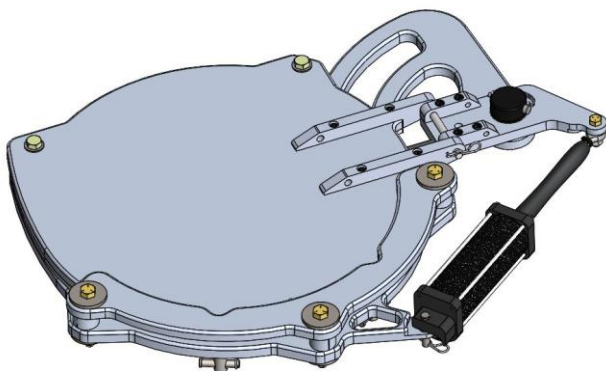




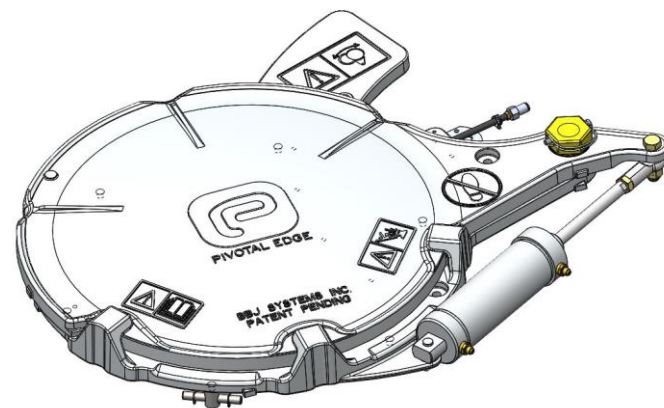
104245
Current Production
Rev D



104245
Rev 0 thru C



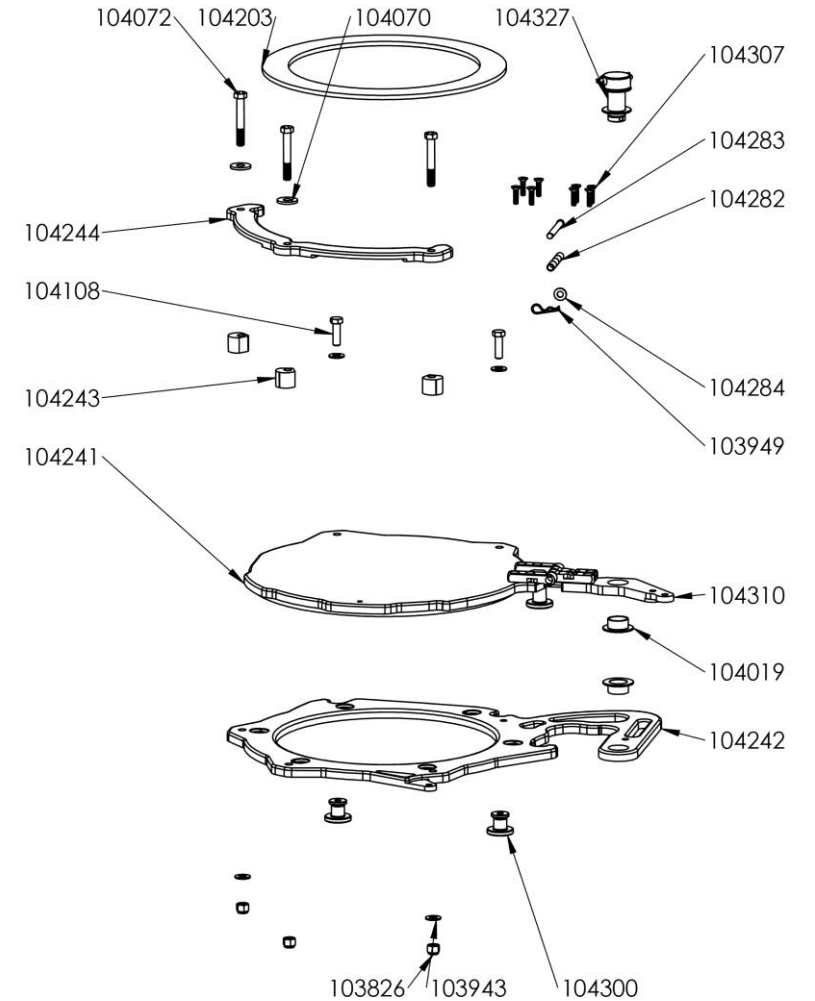
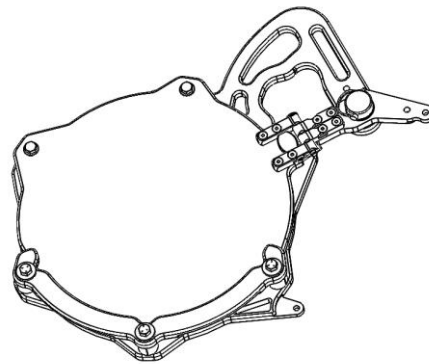
60020
2018-2019



103843
2008-2018

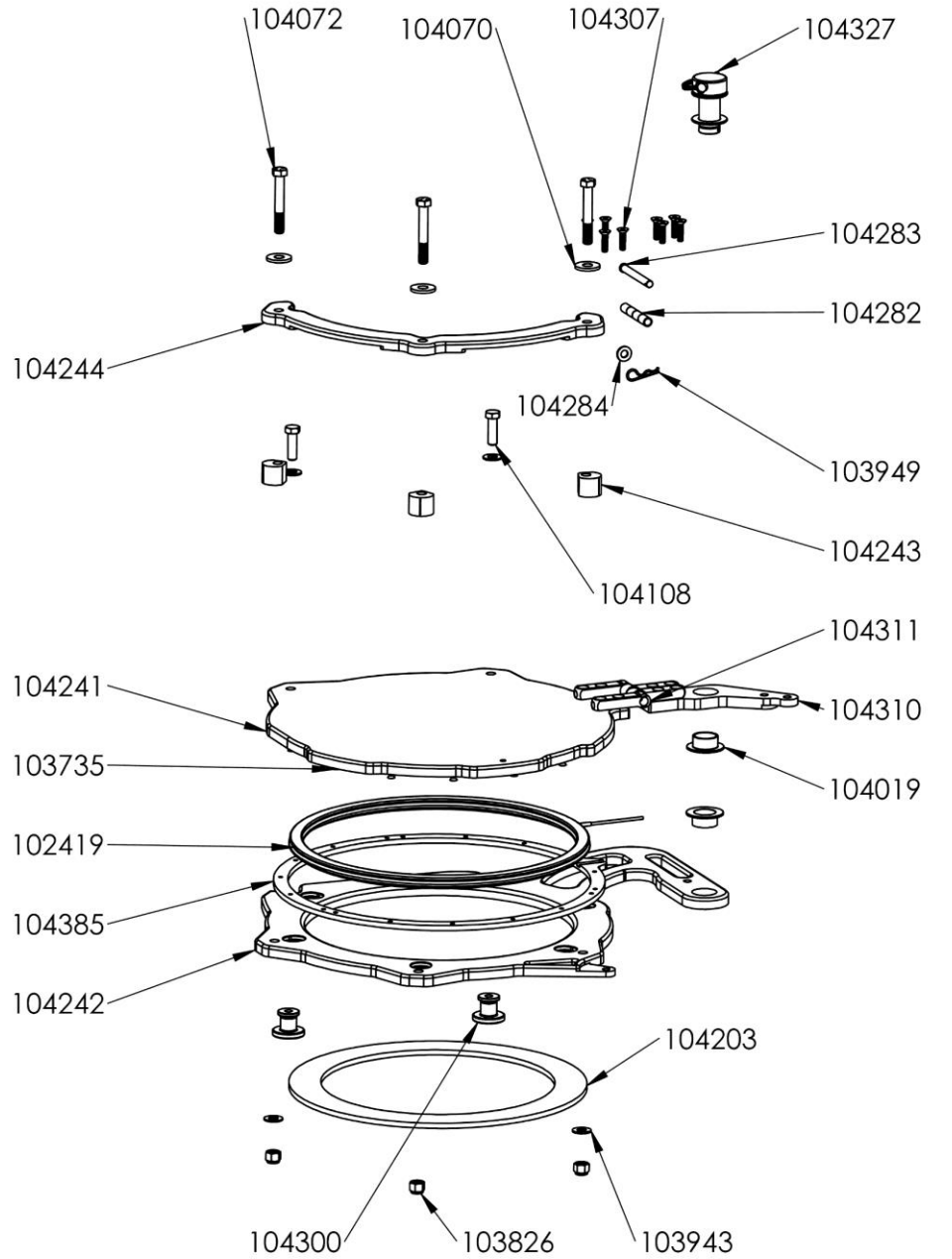
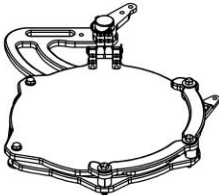
104245 – Domestic 500mm Cover, Rev D, 6-Lug

ITEM	PART NUMBER	DESCRIPTION	Rev	QTY.	ITEM	PART NUMBER	DESCRIPTION	Rev	QTY.
1	103735	SCREW, CS 1/4-20 X 1/2	NA	18	17	104307	FHCS, 3/8-16 x 1.5, Zinc	NA	8
2	103826	NUT, NYLOC 5/8-11	NA	3	18	104310	PIVOT BRACKET	0	1
3	103943	5/8" SAE Galvanized Washer	NA	5	19	104311	Flip Bracket	0	4
4	103949	HAIR PIN	NA	1	20	104327	Kit, Hinge Pin Assembly (Prod.)	0	1
5	104019	BUSHING, NYLON HINGE PIN	NA	2	21	104241	MACHINED COVER, 6 BOLT	A	1
6	104070	WASHER, 11/16 x 1.75 x .188	C	3	22	104459	Mushroom, Pass-Thru	0	1
7	104072	HEX BOLT, 5/8-11 x 4.25"	NA	3	23	104385	Slider, 1-Piece	0	1
8	104108	BOLT 5/8-11X2.0 GR5	NA	2	24	104219-1	Custom Fabric Reinforced Seal		1
9	104203	Gasket, 16.5" ID Flange	0	1					
10	104242	MACHINED FLANGE, 6 BOLT	A	1					
11	104243	LOCK BAR STANDOFF	0	3					
12	104244	LOCK BAR	A	1					
13	104282	Sleeve Bearing, UHMW	NA	4					
14	104283	Clevis Pin, 1/2" x 4.50"	NA	1					
15	104284	1/2" Standard Washer	NA	1					
16	104300	Cover Mushroom 2018	0	2					



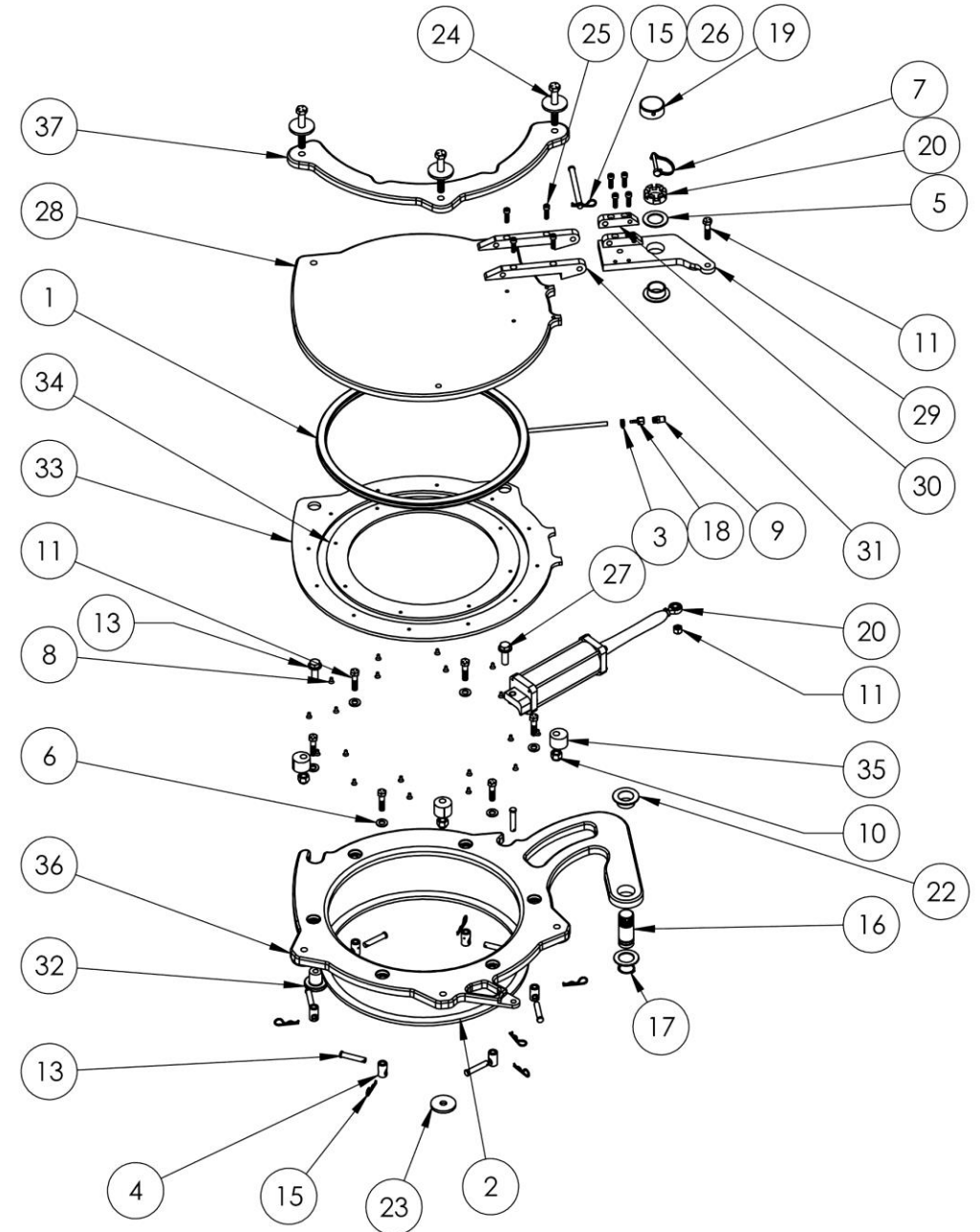
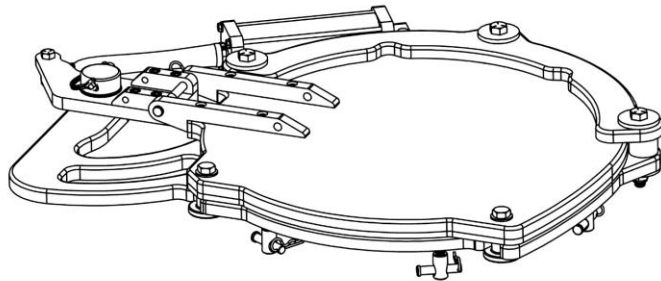
104245 – Domestic 500mm Cover, Rev C

ITEM	PART NUMBER	DESCRIPTION	Rev	QTY.	ITEM	PART NUMBER	DESCRIPTION	Rev	QTY.
1	103735	SCREW, CS 1/4-20 X 1/2	NA	18	17	104307	FHCS, 3/8-16 x 1.5, Zinc	NA	8
2	103826	NUT, NYLOC 5/8-11	NA	3	18	104310	PIVOT BRACKET	0	1
3	103943	5/8" SAE Galvanized Washer	NA	5	19	104311	Flip Bracket	0	4
4	103949	HAIR PIN	NA	1	20	104327	Kit, Hinge Pin Assembly (Prod.)	0	1
5	104019	BUSHING, NYLON HINGE PIN	NA	2	21	104241	MACHINED COVER, 6 BOLT	0	1
6	104070	WASHER, 1 1/16 x 1.75 x .188	C	3	22	104385	Slider, 1-Piece	0	1
7	104072	HEX BOLT, 5/8-11 x 4.25"	NA	3	23	104219-1	Custom Fabric Reinforced Seal		1
8	104108	BOLT 5/8-11X2.0 GR5	NA	2					
9	104203	Gasket, 16.5" ID Flange	0	1					
10	104242	MACHINED FLANGE, 6 BOLT	0	1					
11	104243	LOCK BAR STANDOFF	0	3					
12	104244	LOCK BAR	A	1					
13	104282	Sleeve Bearing, UHMW	NA	4					
14	104283	Clevis Pin, 1/2" x 4.50"	NA	1					
15	104284	1/2" Standard Washer	NA	1					
16	104300	Cover Mushroom 2018	0	2					



60020 – Domestic 500mm Cover

ITEM NO.	PART NUMBER	Rev	DESCRIPTION	QTY.	ITEM NO.	PART NUMBER	Rev	DESCRIPTION	QTY.
1	102419	B	SEAL, INFLATABLE	1	20	103969	B	CUSTOM CASTLE NUT	1
2	102500	A	GASKET, FLANGE SEAL	1	20	103986	C	3 X 6 COMPOSITE CYLINDER	1
3	102502	NA	HOSE CLAMP, INFLATION TUBE	1	22	104019	NA	BUSHING, NYLON HINGE PIN	2
4	102595	A	NUT, CLEVIS 1/2" DIA	6	23	104070	B	WASHER, 5/8 x 2.50 x 1/4	6
5	103678	NA	HINGE PIN THRUST WASHER	2	24	104072	NA	HEX BOLT, 5/8-11 x 4.5"	3
6	103688	NA	WASHER, FLAT 14MM	6	25	104075	NA	SHCS 3/8-16 x 1.25"	8
7	103691	NA	HINGE PIN D-RING	1	26	104106	NA	CLEVIS PIN, 6"	1
8	103735	NA	SCREW, CS 1/4-20 X 1/2	20	27	104108	NA	BOLT 5/8-11X2.0 GR5	2
9	103743	NA	1/4 NPT X 3/8 TUBE STRAIGHT	1	28	60002	IR-1	MACHINED COVER, 6 BOLT	1
10	103826	NA	NUT, NYLOC 5/8-11	3	29	60003	IR-1	PIVOT BRACKET	1
11	103831	NA	1/2-20 X 2 HEX BOLT	7	30	60004	IR-1	PIVOT ATTACHMENT	2
11	103859	NA	1/2-20 NYLOK NUT	1	31	60005	IR-2	COVER ATTACHMENT	2
13	103943	NA	5/8" SAE Galvanized Washer	2	32	60010	C	COVER PULL STUD	2
13	103948	NA	CLEVIS PIN, 1/2 x 2-1/2	7	33	60012	IR-1	SLIDER, OUTER	1
15	103949	NA	HAIR PIN	8	34	60013	IR-1	SLIDER, INNER	1
16	103950	A	HINGE PIN	1	35	60016	IR-1	LOCKBAR STANDOFF	3
17	103951	NA	RETAINING RING, 1.5"	1	36	60019	IR-4	MACHINED FLANGE, 6 BOLT	1
18	103952	NA	HOSE BARB TO 1/4 NPT FEM.	1	37	60022	IR-2	LOCK BAR	1
19	103968	NA	HINGE PIN CAP ROUND	1					



103843 – Cast Cover

ITEM NO.	PART NUMBER	DESCRIPTION	Default/QTY.	ITEM NO.	PART NUMBER	DESCRIPTION	Default/QTY.
1	102419	SEAL, INFLATABLE	1	18	103901	HOSE RETAINER	1
2	102495	CABLE TIE, HEAVY DUTY	25	19	103948	CLEVIS PIN	6
3	102500	GASKET, FLANGE SEAL	1	20	103949	HAIR PIN	7
4	102502	HOSE CLAMP, INFLATION TUBE	1	21	103950	HINGE PIN	1
5	102540	3/8 TUBE TEE DOT	1	22	103951	RETAINING RING, 1.5"	1
6	102595	NUT, CLEVIS 1/2" DIA	6	23	103952	HOSE BARB TO 1/4 NPT FEM.	1
7	102664	SLIDER, FLANGE	1	24	103968	HINGE PIN CAP ROUND	1
8	102665	SLIDER, COVER	1	25	103969	CUSTOM CASTLE NUT	1
9	103401	BUSHING FLANGED, 1/2" ID X 5/8" OD	1	26	103986	3 X 6 COMPOSITE CYLINDER	1
10	103678	HINGE PIN THRUST WASHER	2	27	104014	1/4-20 x 1/2 Hex Bolt	2
11	103688	WASHER, FLAT 14MM	7	28	104019	BUSHING, NYLON HINGE PIN	2
12	103691	HINGE PIN D-RING	1	29	104210	COVER, CAST & MACHINED	1
13	103735	SCREW, CS 1/4-20 X 1/2	6	30	104220	FLANGE, CAST & MACHINED	1
14	103743	1/4 NPT X 3/8 TUBE STRAIGHT	1				
15	103831	1/2-20 X 2 HEX BOLT	7				
16	103859	1/2-20 NYLOK NUT	1				
17	103870	PIN, CYLINDER	1				

